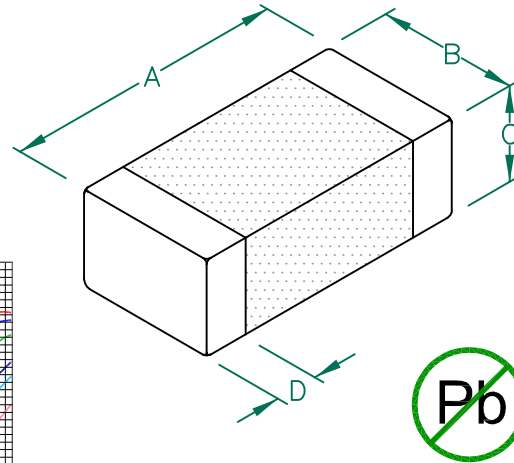


# MI1206K900R-10

**UNCONTROLLED DOCUMENT**

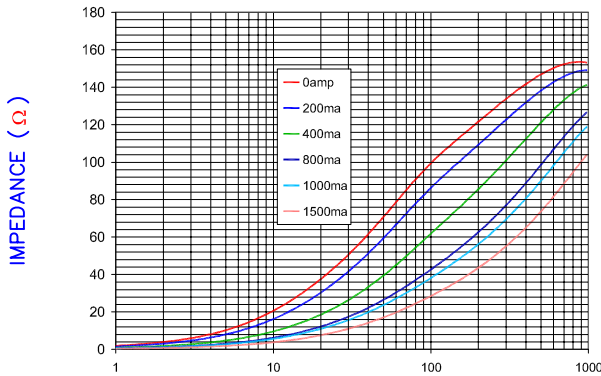
**PHYSICAL DIMENSIONS:**

A	3.20 [.126]	+ 0.20 [.008]
B	1.60 [.063]	+ 0.20 [.008]
C	1.10 [.043]	+ 0.20 [.008]
D	0.51 [.020]	+ 0.25 [.010]

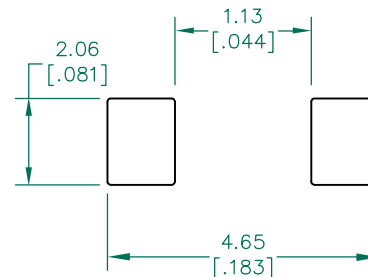


ELECTRICAL CHARACTERISTICS:			
	Z @ 100MHz (Ω)	DCR (Ω)	Rated Current
Nominal	90		
Minimum	68		
Maximum	113	0.080	1500 mA

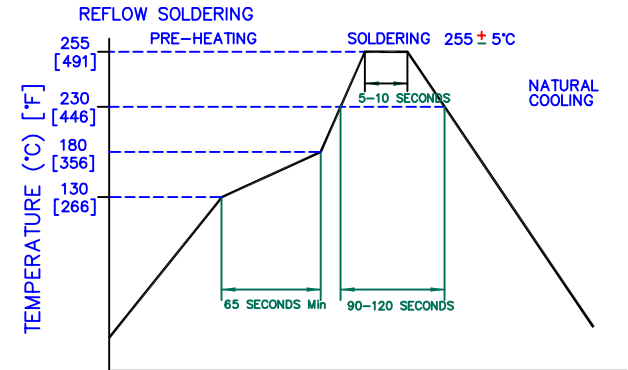
Z vs FREQUENCY  
IMPEDANCE UNDER DC BIAS



LAND PATTERNS FOR REFLOW SOLDERING

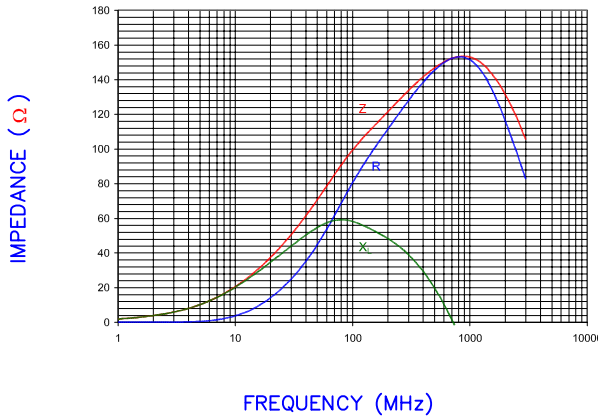


RECOMMENDED SOLDERING CONDITIONS



FREQUENCY (MHz)

|Z| , R, AND X vs. FREQUENCY



(For wave soldering, add 0.762 (0.030) to this dimension)



DIMENSIONS ARE IN mm [INCHES].				This print is the property of Laird Tech. and is loaned in confidence subject to return upon request and with the understanding that no copies shall be made without the written consent of Laird Tech. All rights to design or invention are reserved.			
D	ADD OPERATING TEMPERATURE UPDATE LAIRD LOGO AND REFLOW CURVE	08/05/13	QU	PROJECT/PART NUMBER: <b>MI1206K900R-10</b>		REV	PART TYPE: D CO-FIRE
C	UPDATE COMPANY LOGO	08/22/08	JRK	DATE:	06/02/04	SCALE:	NTS
B	ADD ROHS SYMBOL, TAPE SPEC & UPDATE COMPANY LOGO	08/31/07	JRK	CAD #		TOOL #	
A	ORIGINAL DRAFT	06/02/04	JRK	DATE:		SHEET:	
REV	DESCRIPTION	DATE	INT	MI1206K900R-10-D		2 of 2	

